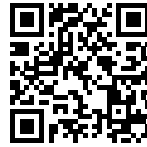


Kit "D"

Stainless steel bottle holder

Equipped troughs accessories

Code: 8100 704



DETAILS

Material Stainless steel

Type Standard

Dimensions 14 x 14 cm

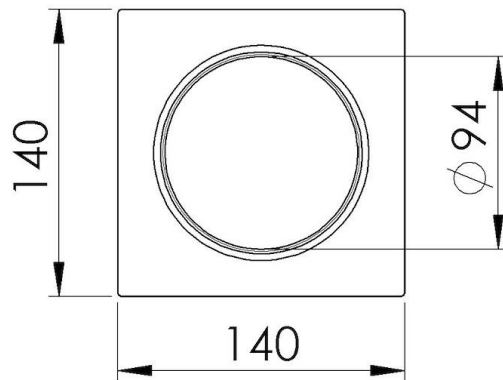
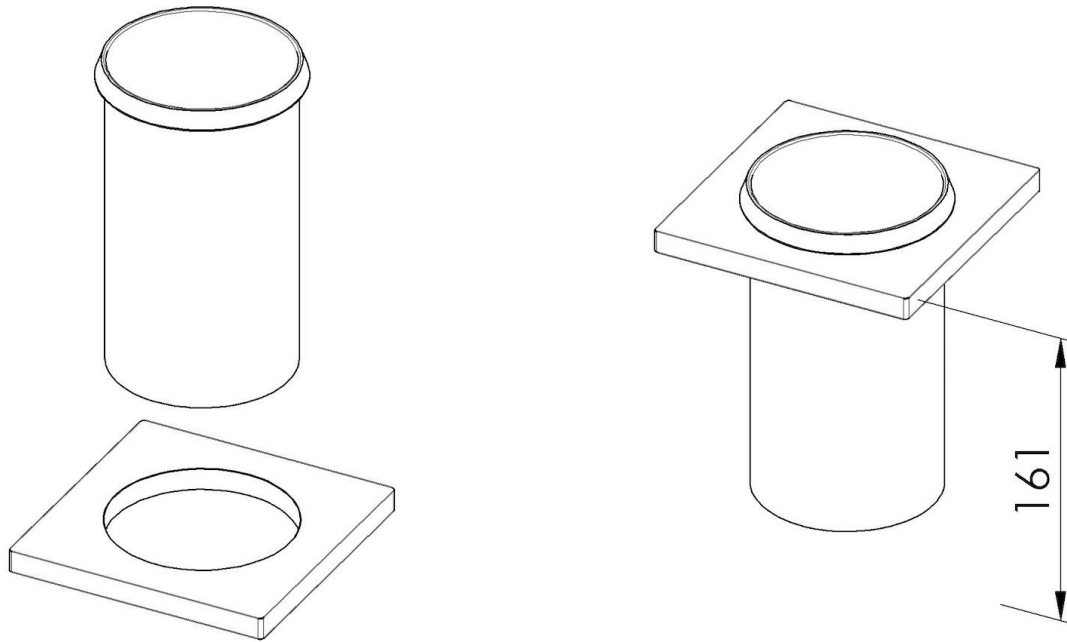
Length 1 unit - Standard

Key to understanding the accessories

The lengths of the channels and accessories are indicated in “units”; for the composition, the sum of the “units” of the accessories must be the same as the length in “units” of the channel.

TECHNICAL DATA

8100 704



1 x supporto black / 1 x black support
1 x portabottiglie / 1 x bottle holder

OPTIONAL ACCESSORIES



Knives-holder

8100 030